



Ultra long stroke chuck double acting
(Standard/short stroke)

CKJ Series

- Operational stroke length: Standard 80, 130mm
Short stroke 40, 65mm



Specifications

Descriptions	CKJ					
	16CS		40CS		63CS	
Size	Standard	S1	Standard	S1	Standard	S1
Cylinder bore size mm	$\phi 12 \times 6$		$\phi 32 \times 6$		$\phi 50 \times 6$	
Working fluid	Compressed air					
Max. working pressure MPa	0.7					
Min. working pressure MPa	0.3					
Ambient temperature °C	5 to 60					
Port size	M5				Rc1/8	
Operational stroke length mm	80	40	80	40	130	65
Rod diameter mm	$\phi 6$		$\phi 12$		$\phi 14$	
Capacity of reciprocating cm ³	47.4	24.0	358.8	179.4	1471.2	735.6
Repeatability mm	± 0.1					
Product weight kg	2.38	1.35	5.6	4.2	18.5	13
Lubrication	Not required (use turbine oil Class 1 ISO VG32 for lubrication)					

Switch specifications

Descriptions	Proximity 2 wire	Proximity 3 wire
	T2H/T2V	T3H/T3V
Applications	Programmable controller	Programmable controller, relay
Output method	-	NPN output
Power voltage	-	10 to 28 VDC
Load voltage/current	10 to 30 VDC, 5 to 20mA (Note 1)	30 VDC, 100mA or less
Light	LED (ON lighting)	
Maximum shock resistance	980m/s ²	
Leakage current	1mA or less	10 μ A or less

Note 1: Maximum load current above: 20mA applies at 25°C.

If switch ambient temperature is higher than 25°C, value is lower than 20mA. (5 to 10mA with 60°C)

- RRC
- GRC
- RV3*
- NHS
- HR
- LN
- FH100
- HAP
- BSA2
- BHA/BHG
- LHA
- LHAG
- HKP
- HLA/HLB
- HLAG/HLBG
- HEP
- HCP
- HMF
- HMFB
- HFP
- HLC
- HGP
- FH500
- HBL
- HDL
- HMD
- HJL
- BHE
- CKG
- CK
- CKA
- CKS
- CKF
- CKJ**
- CKL2
- CKL2-*.HC
- CKH2
- CKLB2
- NCK/SCK/FCK
- FJ
- FK
- Ending

How to order

CKJ - **16CS** - **S1** - **T2H** - **R**

A Size

B Option

C Switch model no.
* indicates lead wire length.

D Switch quantity

Symbol	Descriptions			
A Size				
	16CS			
	40CS			
	63CS			
B Option				
	Blank	Standard		
	S1	Short stroke		
C Switch model no.				
Axial lead wire	Radial lead wire	Contact	Indicator	Lead wire
T2H*	T2V*	Proximity	1 color indicator type	2-wire
T3H*	T3V*			3-wire
*Lead wire length				
	Blank	1m (standard)		
	3	3m (option)		
	5	5m (option)		
D Switch quantity				
	R	One on open side		
	H	One on closed side		
	D	Two		

<Example of model number>

CKJ-16CS-S1-T2H-R

Model: Ultra long stroke chuck

- A** Size : 16CS
- B** Stroke length : Short stroke
- C** Switch model no. : Proximity T2H switch, lead wire 1m
- D** Switch quantity : One on open side

How to order switch

SW - **T2H**

Switch model no.
(Item above **C**)

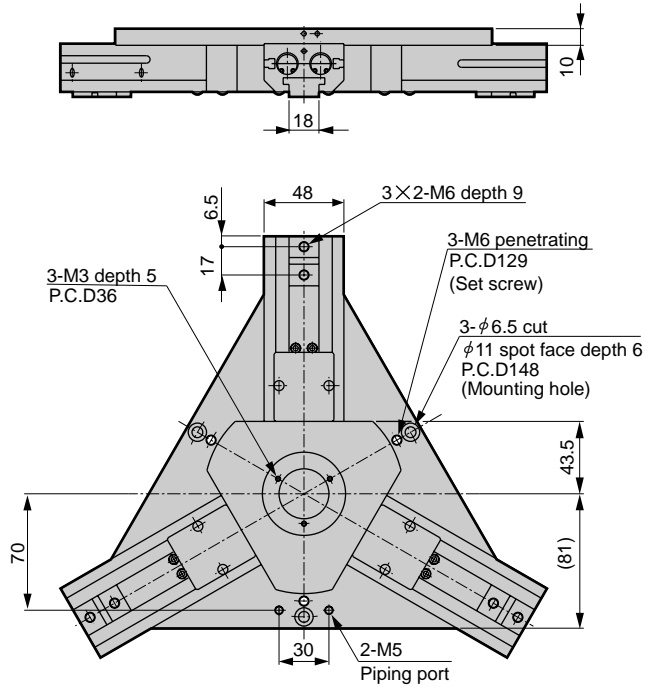
RRC
GRC
RV3*
NHS
HR
LN
FH100
HAP
BSA2
BHA/ BHG
LHA
LHAG
HKP
HLA/ HLB
HLAG/ HLBG
HEP
HCP
HMF
HMFB
HFP
HLC
HGP
FH500
HBL
HDL
HMD
HJL
BHE
CKG
CK
CKA
CKS
CKF
CKJ
CKL2
CKL2 *-HC
CKH2
CKLB2
NCK/ SCK/FCK
FJ
FK
Ending

Ultra long stroke chuck
Chuck

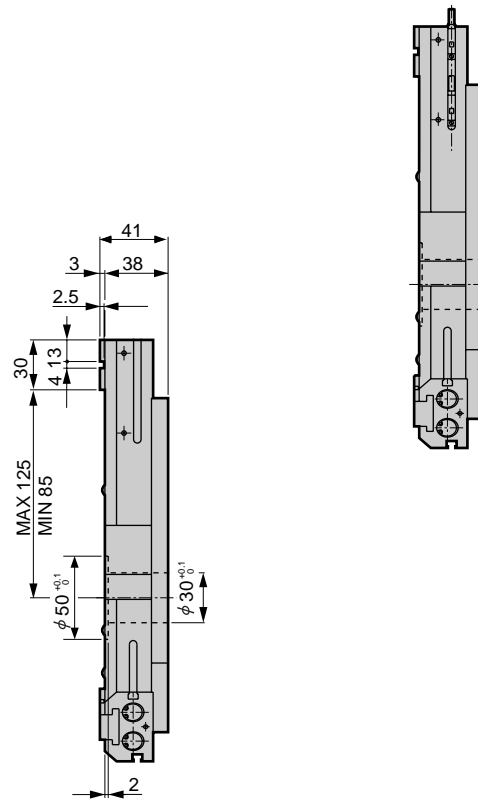
Dimensions



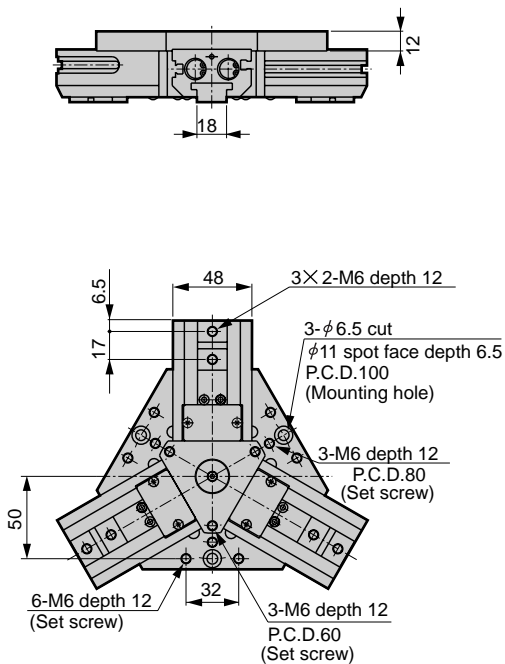
● CKJ-16CS standard



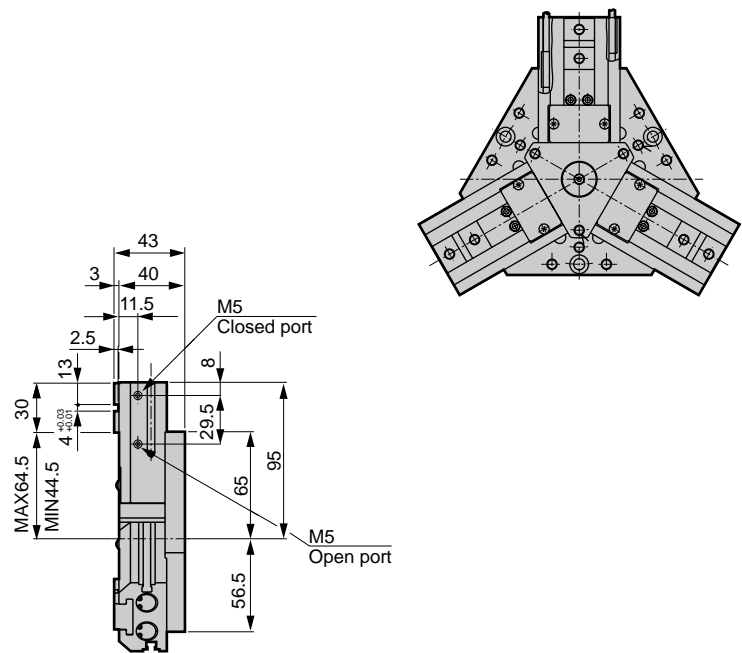
● With switch



● CKJ-16CS-S1



● With switch



RRC
GRC
RV3*
NHS
HR
LN
FH100
HAP
BSA2
BHA/ BHG
LHA
LHAG
HKP
HLA/ HLB
HLAG/ HLBG
HEP
HCP
HMF
HMFB
HFP
HLC
HGP
FH500
HBL
HDL
HMD
HJL
BHE
CKG
CK
CKA
CKS
CKF
CKJ
CKL2
CKL2 *-HC
CKH2
CKLB2
NCK/ SCK/FCK
FJ
FK
Ending

Ultra long stroke chuck
Chuck

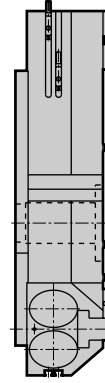
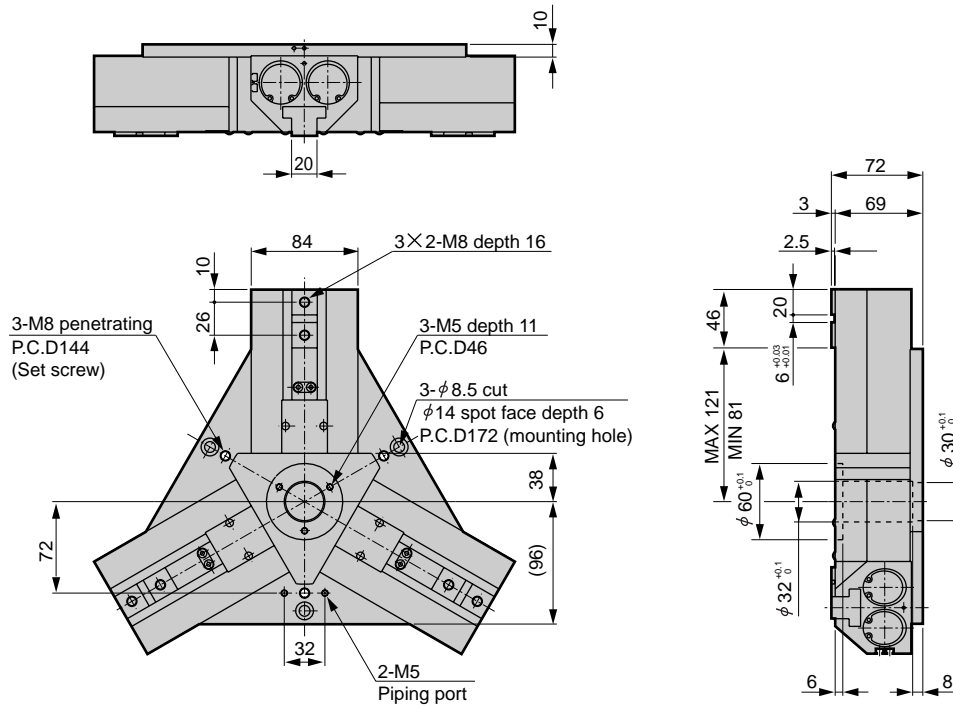
Dimensions



- RRC
- GRC
- RV3*
- NHS
- HR
- LN
- FH100
- HAP
- BSA2
- BHA/BHG
- LHA
- LHAG
- HKP
- HLA/HLB
- HLG/HLBG
- HEP
- HCP
- HMF
- HMFB
- HFP
- HLC
- HGP
- FH500
- HBL
- HDL
- HMD
- HJL
- BHE
- CKG
- CK
- CKA
- CKS
- CKF
- CKJ**
- CKL2
- CKL2-*.HC
- CKH2
- CKLB2
- NCK/SCK/FCK
- FJ
- FK
- Ending

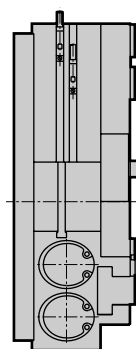
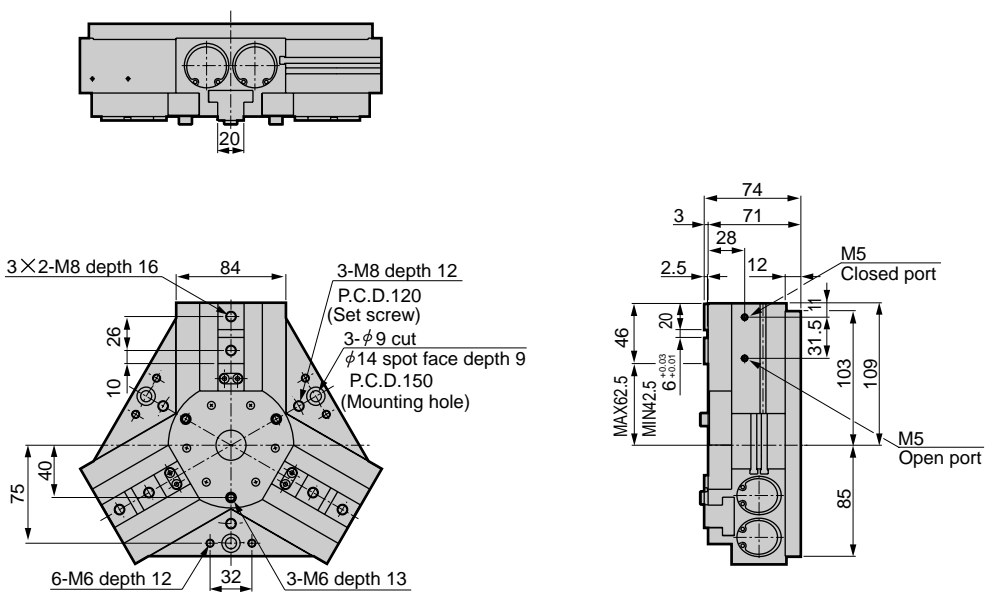
● CKJ-40CS standard

● With switch



● CKJ-40CS-S1

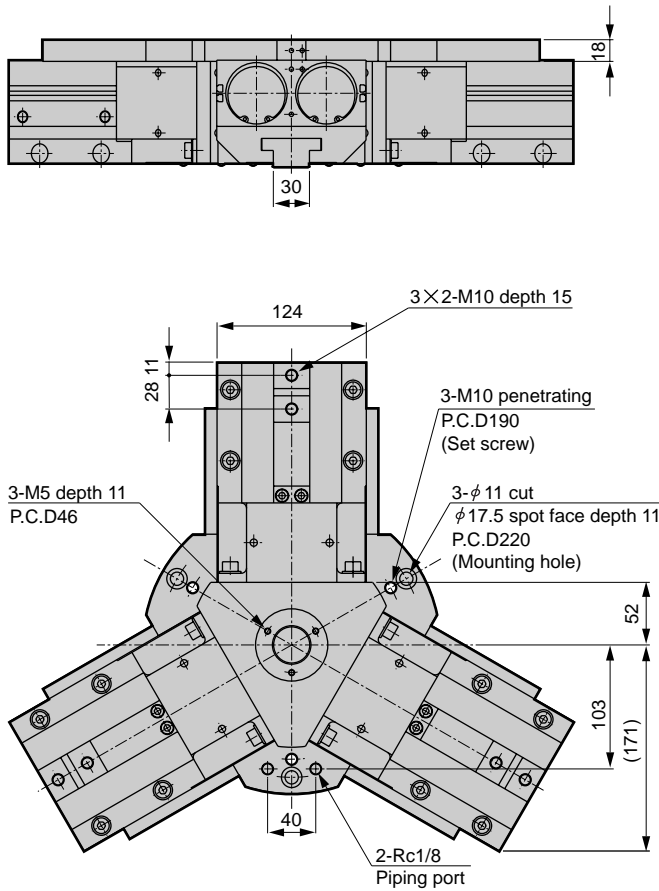
● With switch



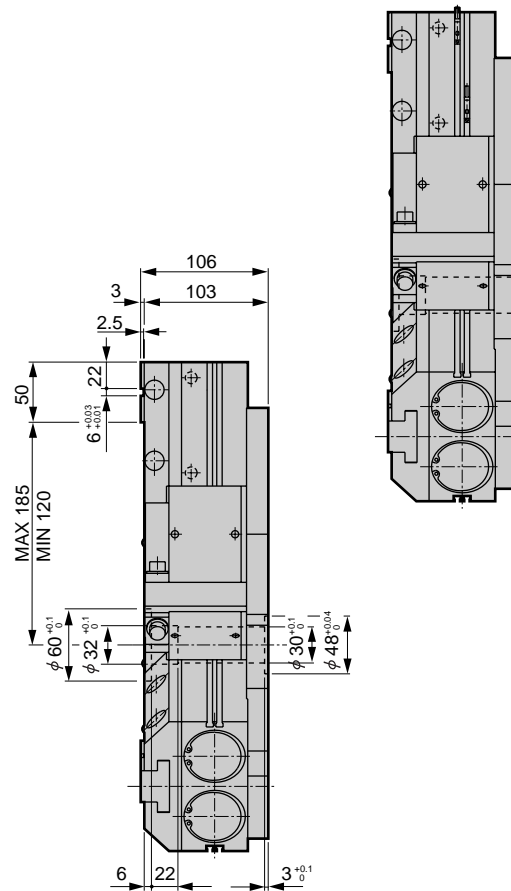
Dimensions



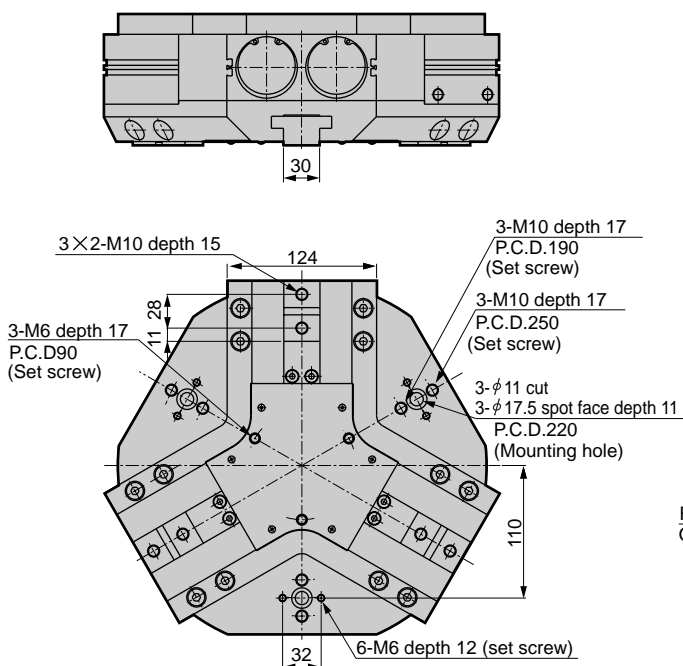
● CKJ-63CS standard



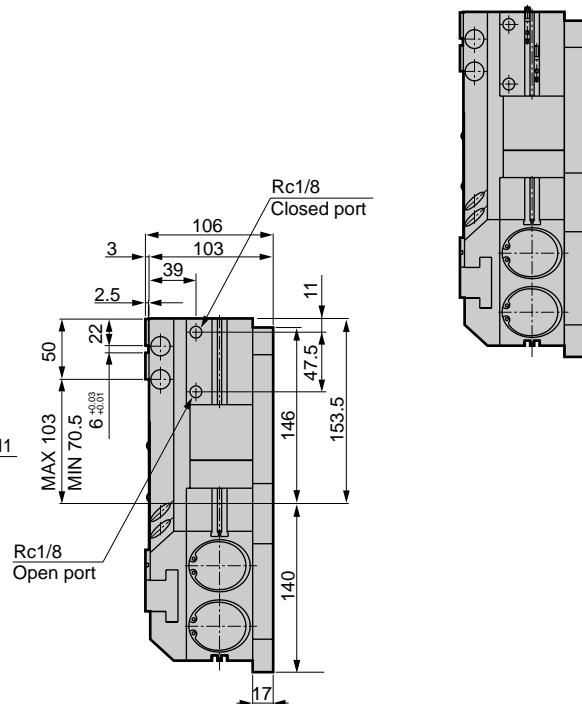
● With switch



● CKJ-63CS-S1



● With switch



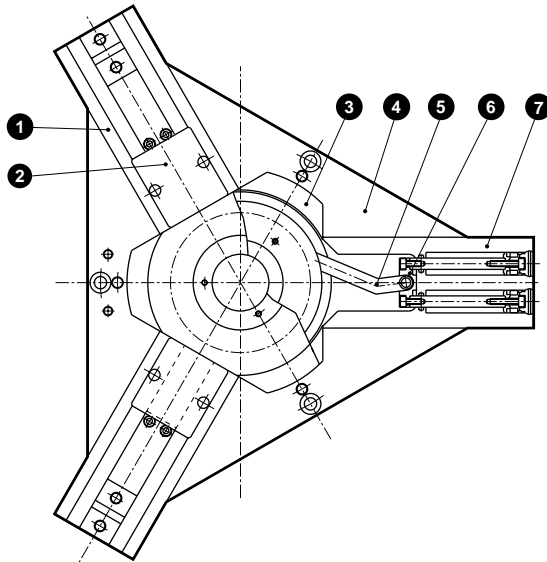
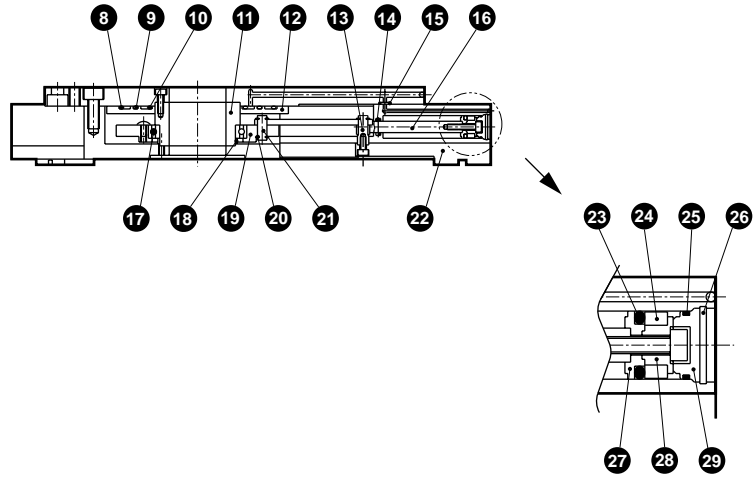
RRC
GRC
RV3*
NHS
HR
LN
FH100
HAP
BSA2
BHA/BHG
LHA
LHAG
HKP
HLA/HLB
HLAG/HLBG
HEP
HCP
HMF
HMFb
HFP
HLC
HGP
FH500
HL
HDL
HMD
HJL
BHE
CKG
CK
CKA
CKS
CKF
CKJ
CKL2
CKL2 *-HC
CKH2
CKLB2
NCK/SCK/FCK
FJ
FK
Ending

Ultra long stroke chuck
Chuck

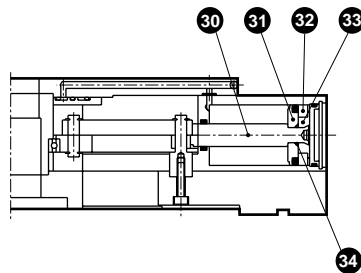
Internal structure and parts list

RRC
GRC
RV3*
NHS
HR
LN
FH100
HAP
BSA2
BHA/ BHG
LHA
LHAG
HKP
HLA/ HLB
HLAG/ HLBG
HEP
HCP
HMF
HMFB
HFP
HLC
HGP
FH500
HBL
HDL
HMD
HJL
BHE
CKG
CK
CKA
CKS
CKF
CKJ
CKL2
CKL2 -*.HC
CKH2
CKLB2
NCK/ SCK/FCK
FJ
FK
Ending

● CKJ-16CS

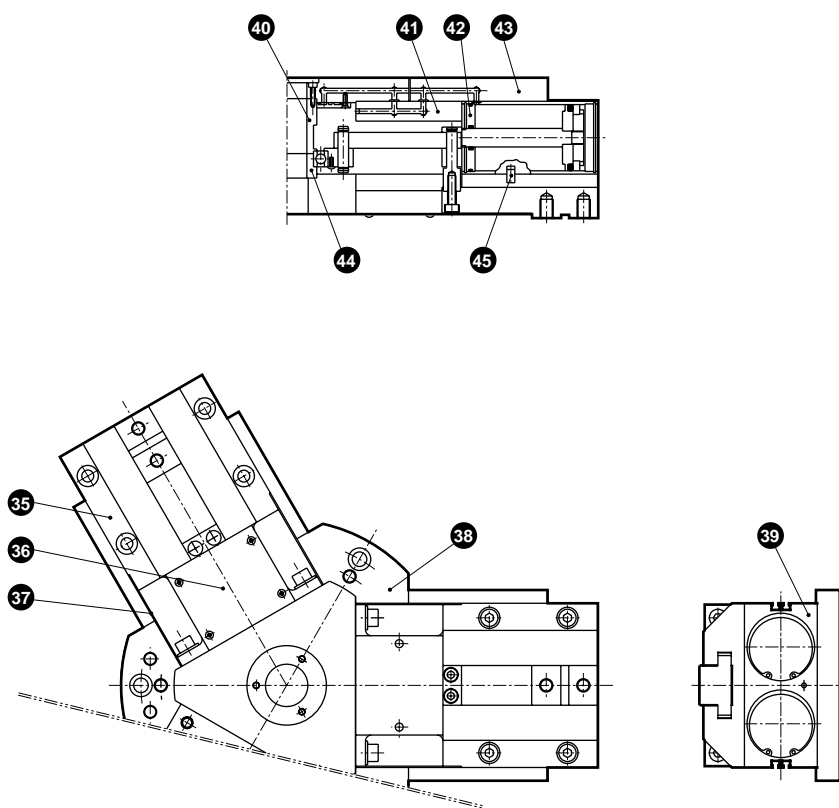


● CKJ-40CS



Internal structure and parts list

● CKJ-63CS



Parts list

No.	Parts name	Material	Remarks	No.	Parts name	Material	Remarks
1	Cylinder body B	Aluminum alloy		24	Magnet		
2	Guard	Stainless steel		25	Cylinder sealant	Nitrile rubber	
3	Center block	Aluminum alloy		26	C type snap ring	Carbon steel	
4	Base	Aluminum alloy		27	Piston A	Aluminum alloy	
5	Link	Stainless steel	63CS is carbon steel	28	Piston B	Aluminum alloy	63CS is stainless steel
6	Connection block	Stainless steel	63CS is carbon steel	29	Cylinder guard	Acetar resin	63CS is aluminum alloy
7	Cylinder body A	Aluminum alloy		30	Piston rod	Stainless steel	
8	O ring	Nitrile rubber		31	Piston A	Aluminum alloy	
9	O ring	Nitrile rubber		32	Magnet		
10	O ring	Nitrile rubber		33	Piston B	Aluminum alloy	
11	Hollow ring	Aluminum alloy		34	O ring	Nitrile rubber	
12	Piping plate	Aluminum alloy		35	Body	Aluminum alloy	
13	Operation pin	Stainless steel	63CS is carbon steel	36	Front cover	Stainless steel	
14	Rod sealant	Nitrile rubber		37	Side cover	Stainless steel	
15	O ring	Nitrile rubber		38	Base 1	Aluminum alloy	
16	Piston rod	Stainless steel		39	Cylinder	Aluminum alloy	
17	Bearing			40	Hollow ring 1	Aluminum alloy	
18	Collar	Carbon steel		41	Base 3	Aluminum alloy	
19	Link ring	Aluminum alloy		42	Rod cover	Aluminum alloy	
20	E type snap ring	Carbon steel		43	Base 2	Aluminum alloy	
21	Fulcrum axis	Stainless steel	63CS is carbon steel	44	Hollow ring 2	Aluminum alloy	
22	Master key	Carbon steel		45	Parallel pin	Stainless steel	
23	Piston seal	Nitrile rubber					

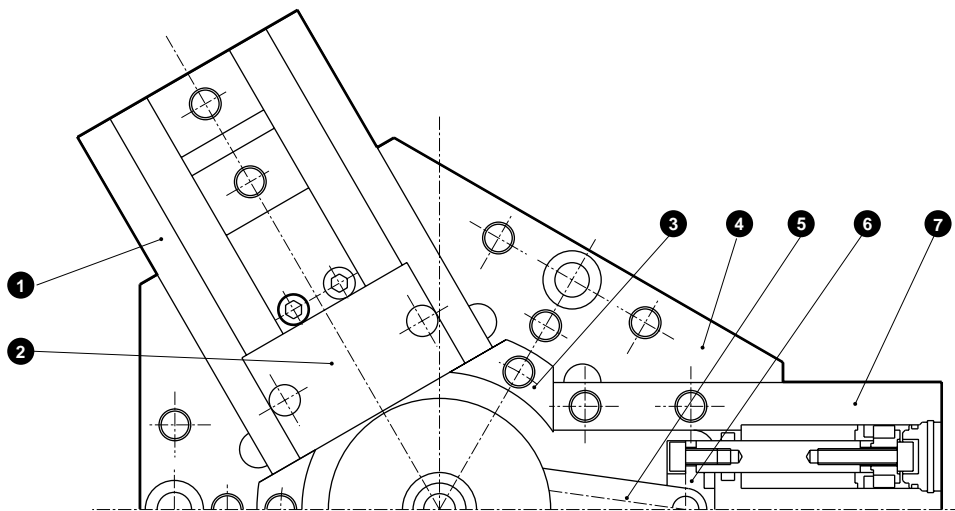
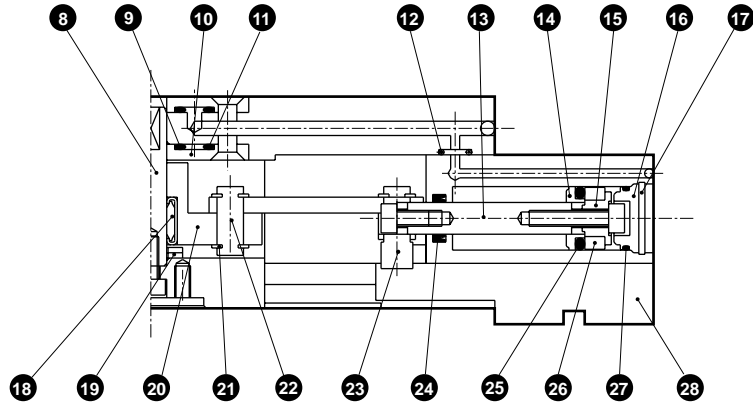
RRC
GRC
RV3*
NHS
HR
LN
FH100
HAP
BSA2
BHA/
BHG
LHA
LHAG
HKP
HLA/
HLB
HLAG/
HLBG
HEP
HCP
HMF
HMFB
HFP
HLC
HGP
FH500
HBL
HDL
HMD
HJL
BHE
CKG
CK
CKA
CKS
CKF
CKJ
CKL2
CKL2
*-HC
CKH2
CKLB2
NCK/
SCK/FCK
FJ
FK

Ending
Ultra long stroke chuck
Chuck

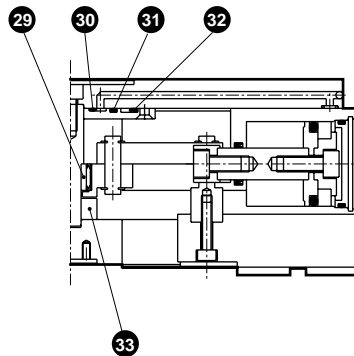
Internal structure and parts list

RRC
GRC
RV3*
NHS
HR
LN
FH100
HAP
BSA2
BHA/ BHG
LHA
LHAG
HKP
HLA/ HLB
HLAG/ HLBG
HEP
HCP
HMF
HMFB
HFP
HLC
HGP
FH500
HBL
HDL
HMD
HJL
BHE
CKG
CK
CKA
CKS
CKF
CKJ
CKL2
CKL2 -*.HC
CKH2
CKLB2
NCK/ SCK/FCK
FJ
FK
Ending

●CKJ-16CS-S1

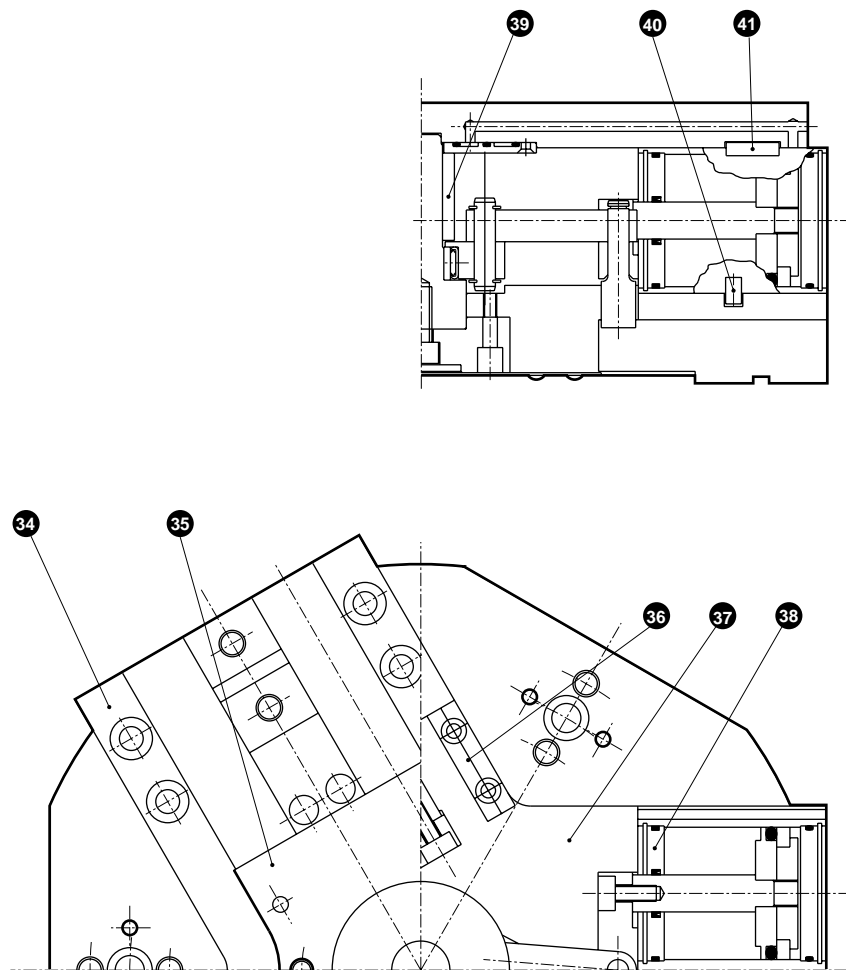


●CKJ-40CS-S1



Internal structure and parts list

● CKJ-63CS-S1



RRC
GRC
RV3*
NHS
HR
LN
FH100
HAP
BSA2
BHA/ BHG
LHA
LHAG
HKP
HLA/ HLB
HLAG/ HLBG
HEP
HCP
HMF
HMFB
HFP
HLC
HGP
FH500
HBL
HDL
HMD
HJL
BHE
CKG
CK
CKA
CKS
CKF
CKJ
CKL2
CKL2 *-HC
CKH2
CKLB2
NCK/ SCK/FCK
FJ
FK

Parts list

No.	Parts name	Material	Remarks	No.	Parts name	Material	Remarks
1	Cylinder body B	Aluminum alloy		22	Fulcrum axis	Stainless steel	63CS is carbon steel
2	Guard	Stainless steel		23	Operation pin	Stainless steel	63CS is carbon steel
3	Center block	Aluminum alloy	63CS is carbon steel	24	Rod sealant	Nitrile rubber	
4	Base	Aluminum alloy		25	Piston seal	Nitrile rubber	
5	Link	Stainless steel	63CS is carbon steel	26	Magnet		
6	Connection block	Stainless steel	63CS is carbon steel	27	Cylinder sealant	Nitrile rubber	
7	Cylinder body A	Aluminum alloy		28	Master key	Carbon steel	
8	Axis	Carbon steel	63CS is aluminum alloy	29	Inner ring		
9	O ring	Nitrile rubber		30	O ring	Nitrile rubber	
10	Piping plate	Aluminum alloy		31	O ring	Nitrile rubber	
11	O ring	Nitrile rubber		32	O ring	Nitrile rubber	
12	O ring	Nitrile rubber		33	Collar	Acetar resin	
13	Piston rod	Stainless steel		34	Body	Aluminum alloy	
14	Piston A	Aluminum alloy		35	Front cover	Stainless steel	
15	Piston B	Aluminum alloy	63CS is stainless steel	36	Side cover	Aluminum alloy	
16	Cylinder guard	Acetar resin	63CS is aluminum alloy	37	Cylinder	Aluminum alloy	
17	C type snap ring	Carbon steel		38	Rod cover	Aluminum alloy	
18	Needle rolling bearing			39	Metal collar	Carbon steel	
19	Washer			40	Parallel pin	Stainless steel	
20	Link ring	Aluminum alloy		41	Double round key	Carbon steel	
21	E type snap ring	Carbon steel					

Ending

Ultra long stroke chuck
Chuck