



High gripping power powerful chuck

CKH2 Series

- Operational stroke length: 6, 8, 10, 12mm



RRC
GRC
RV3*
NHS
HR
LN
FH100
HAP
BSA2
BHA/
BHG
LHA
LHAG
HKP
HLA/
HLB
HLAG/
HLBG
HEP
HCP
HMF
HMFB
HFP
HLC
HGP
FH500
HBL
HDL
HMD
HJL
BHE
CKG
CK
CKA
CKS
CKF
CKJ
CKL2
CKL2
-*HC
CKH2
CKLB2
NCK/
SCK/FCK
FJ
FK
Ending

Specifications

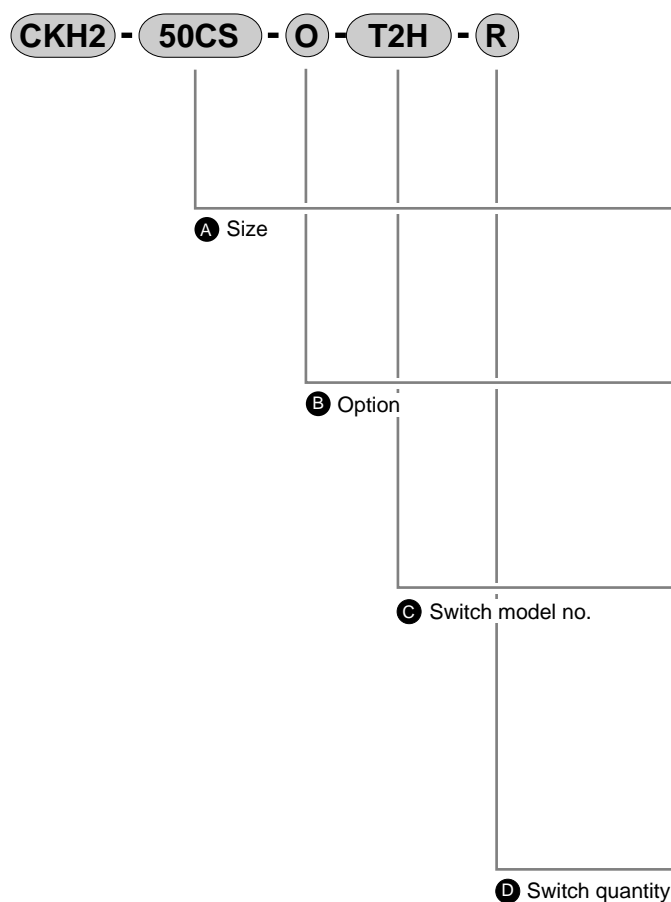
Descriptions	CKH2-50CS	CKH2-63CS	CKH2-80CS	CKH2-100CS
Cylinder bore size mm	φ50	φ63	φ80	φ100
Working fluid	Compressed air			
Max. working pressure MPa	0.7			
Min. working pressure MPa	0.3			
Ambient temperature °C	5 to 60			
Port size	M5		Rc1/8	
Operational stroke length mm	6	8	10	12
Rod diameter mm	φ14	φ16	φ16	φ20
Capacity of reciprocating cm ³	28.3	60.3	118.2	215.5
Repeatability mm	±0.01			
Product weight kg	0.59	1.02	2.02	3.45
Lubrication	Not required (use turbine oil Class 1 ISO VG32 for lubrication)			

Switch specifications

Descriptions	Proximity 2 wire	Proximity 3 wire
	T2H/V	T3H/V
Applications	Programmable controller	Programmable controller, relay
Output method	-	NPN output
Power voltage	-	10 to 28 VDC
Load voltage/current	10 to 30 VDC, 5 to 20mA (Note 1)	30 VDC or less, 100mA or less
Light	LED (ON lighting)	
Leakage current	1mA or less	10μA or less

Note 1: Maximum load current above: 20mA applies at 25°C. The current will be lower than 20mA if ambient temperature around switch is higher than 25°C. (5 to 10mA with 60°C)

How to order



Symbol	Descriptions			
A Size				
50CS				
63CS				
80CS				
100CS				
B Option				
Blank	Standard (double acting)			
O	Single acting (normally open)			
C	Single acting (normally closed)			
Y1	With small jaw material: S45C			
Y2	With small jaw material: MC nylon			
C Switch model no.				
Axial lead wire	Radial lead wire	Contact	Indicator	Lead wire
T2H*	T2V*	Proximity	1 color indicator type	2-wire
T3H*	T3V*			3-wire
*Lead wire length				
Blank	1m (standard)			
3	3m (option)			
5	5m (option)			
D Switch quantity				
R	One on open side			
H	One on closed side			
D	Two			

⚠ Note on model no. selection

Note 1: Small jaw is not available for inner diameter chuck.

Note 2: Refer to pages 494 to 497 for the dimensions and applicable model of the small jaw.

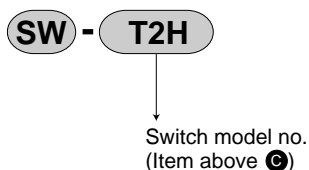
When ordering as option, 3 pieces are provided.

<Example of model number>

CKH2-50CS-O-T2H-R

- A** Size : 50CS
- B** Option : Single acting (normally open)
- C** Switch model no.: Proximity T2H, lead wire 1m
- D** Switch quantity : One on open side

How to order switch



Note: When the type with two switches is selected, if the model has a short operation stroke, both switches may turn on depending on the workpiece size.

- RRC
- GRC
- RV3*
- NHS
- HR
- LN
- FH100
- HAP
- BSA2
- BHA/
BHG
- LHA
- LHAG
- HKP
- HLA/
HLB
- HLAG/
HLBG
- HEP
- HCP
- HMF
- HMFb
- HFP
- HLC
- HGP
- FH500
- HBL
- HDL
- HMD
- HJL
- BHE
- CKG
- CK
- CKA
- CKS
- CKF
- CKJ
- CKL2
- CKL2
*-HC
- CKH2**
- CKLB2
- NCK/
SCK/FCK
- FJ
- FK
- Ending

High gripping power powerful chuck
Chuck



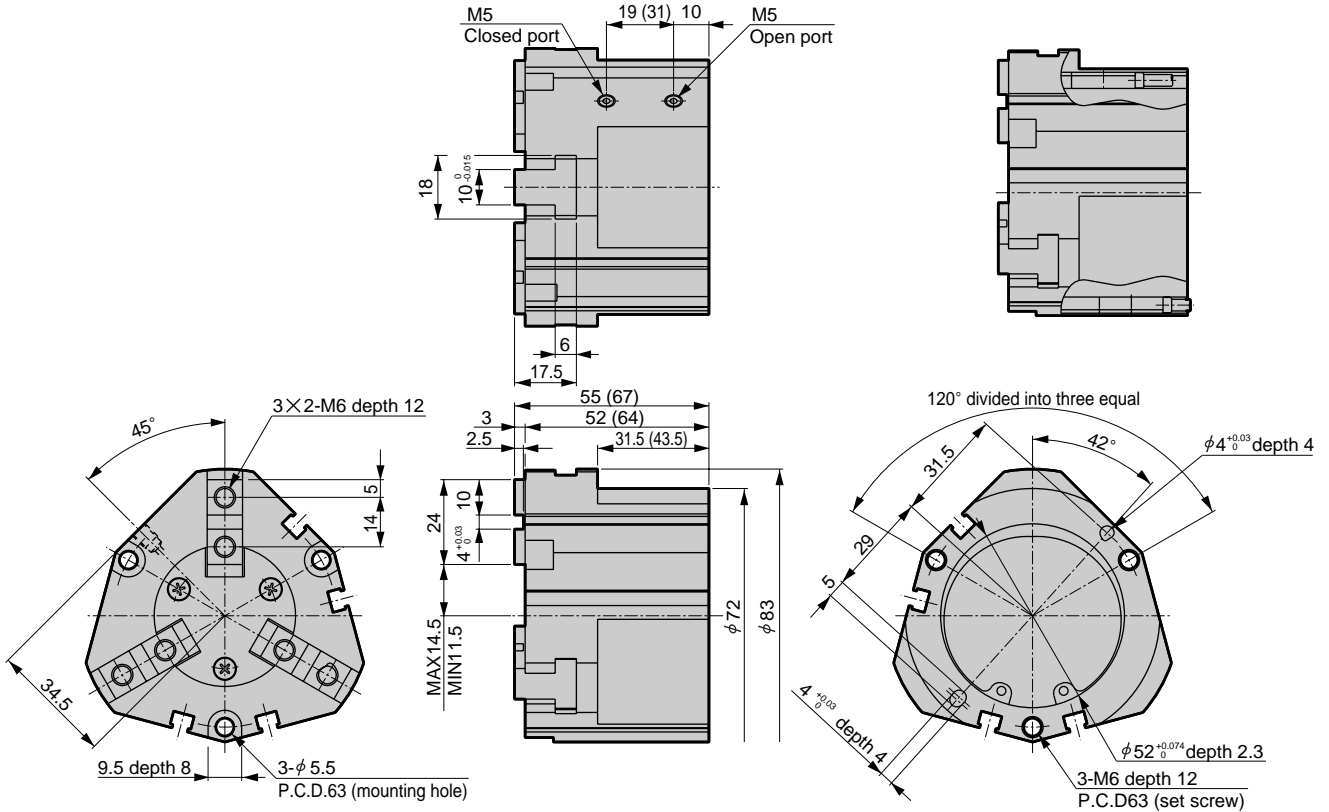
Dimensions

RRC
GRC
RV3*
NHS
HR
LN
FH100
HAP
BSA2
BHA/BHG
LHA
LHAG
HKP
HLA/HLB
HLAG/HLBG
HEP
HCP
HMF
HMFB
HFP
HLC
HGP
FH500
HBL
HDL
HMD
HJL
BHE
CKG
CK
CKA
CKS
CKF
CKJ
CKL2
CKL2 *-HC
CKH2
CKLB2
NCK/SCK/FCK
FJ
FK
Ending

● CKH2-50CS standard/O/C

● With switch

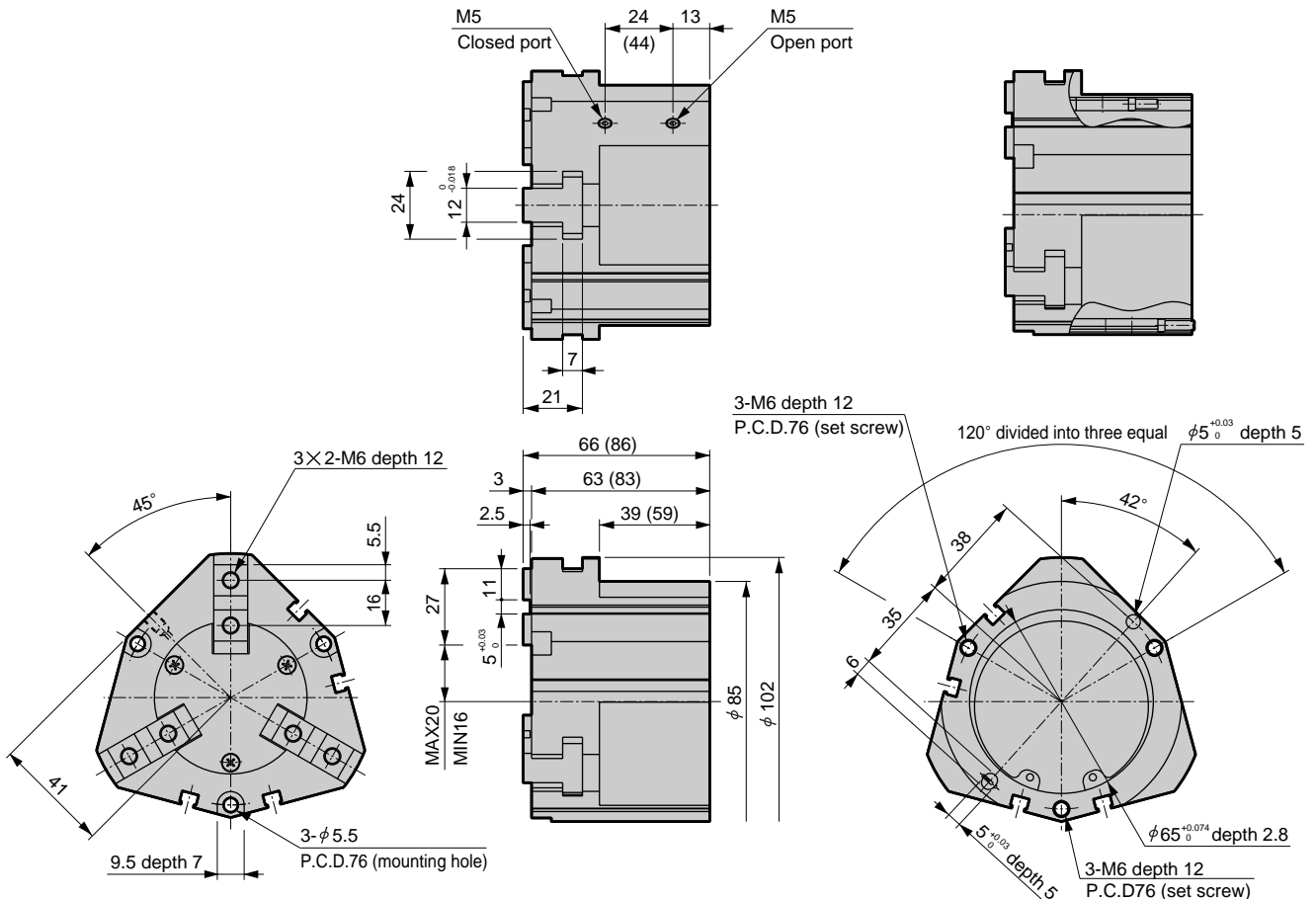
· Dimension in () for O [normally open] and C [normally closed] specifications.



● CKH2-63CS standard/O/C

● With switch

· Dimension in () for O [normally open] and C [normally closed] specifications.

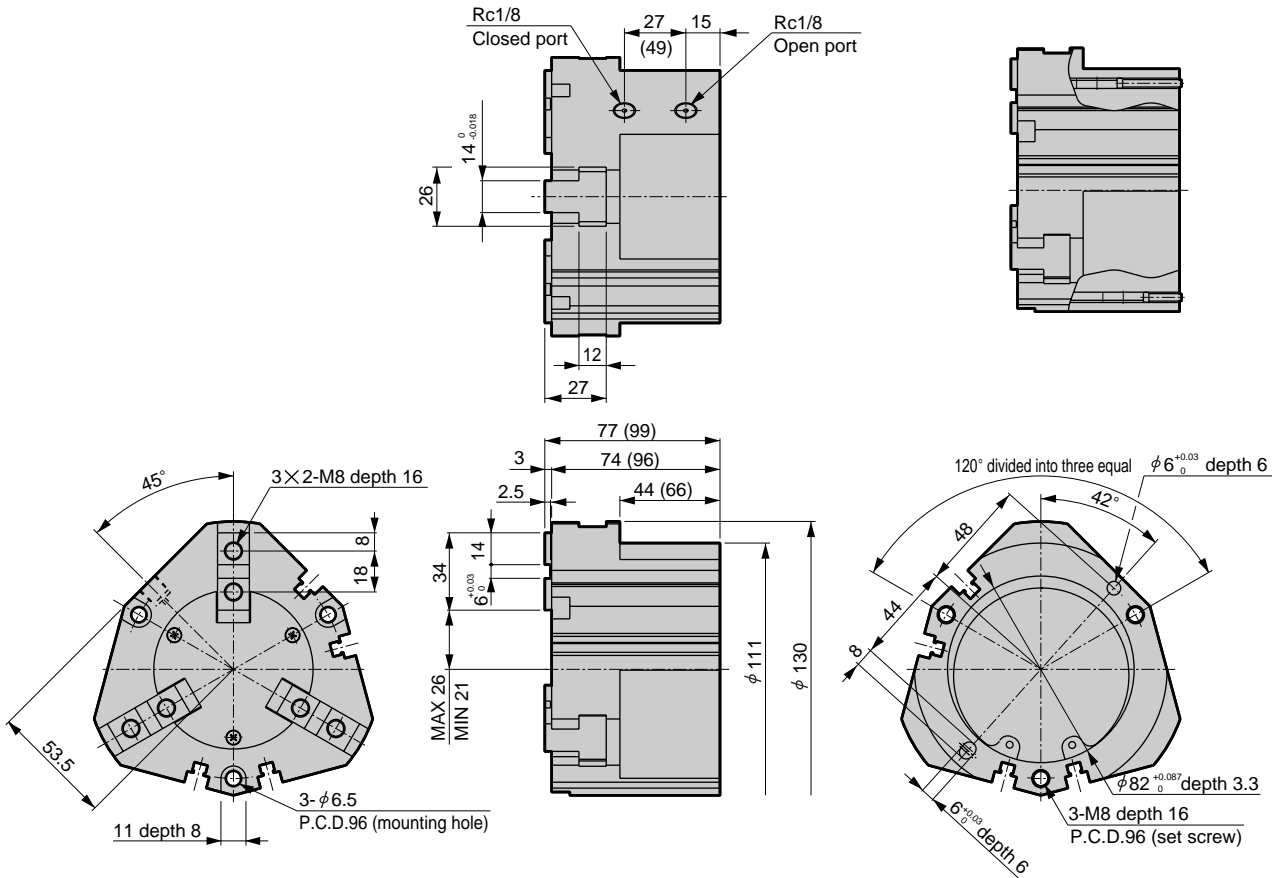


Dimensions



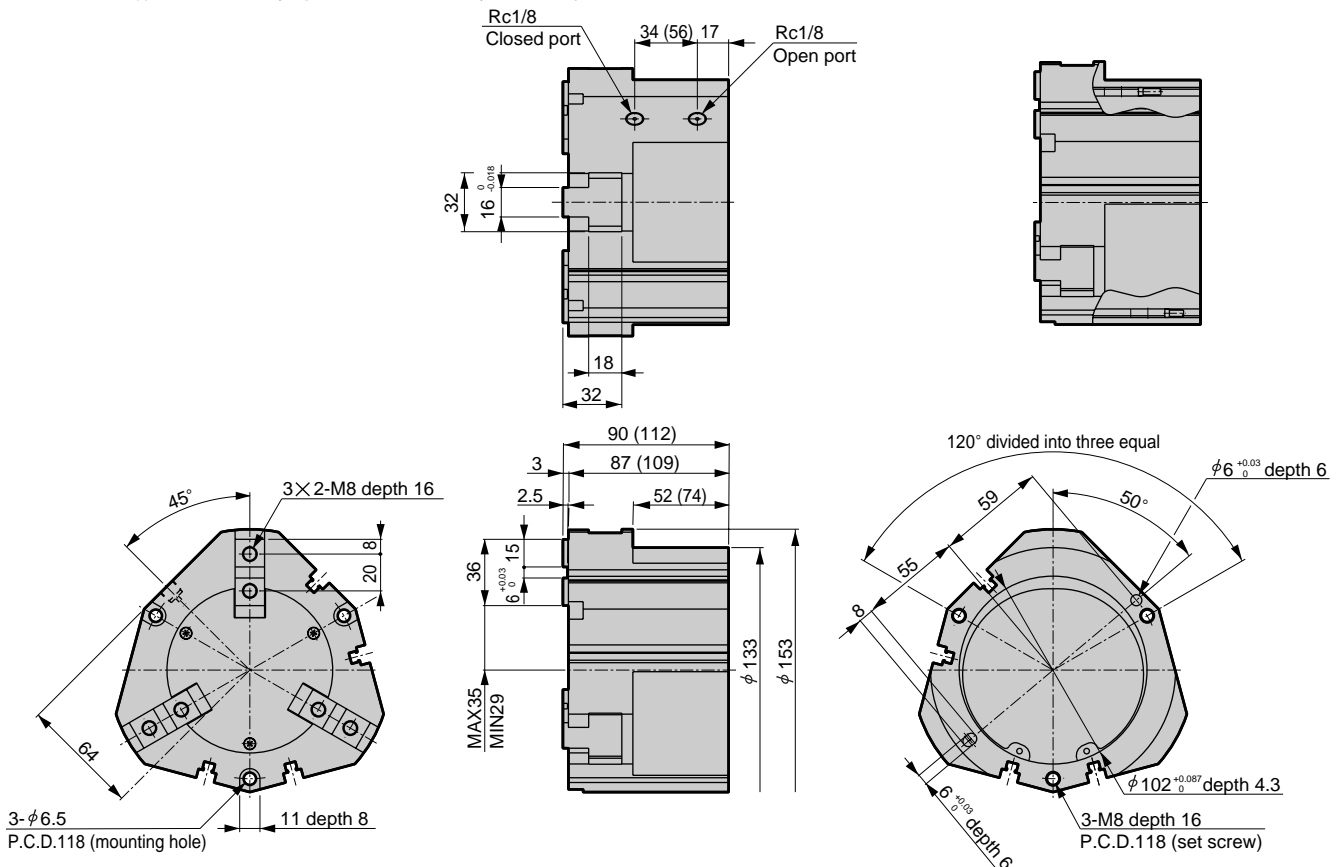
● CKH2-80CS standard/O/C

· Dimension in () for O [normally open] and C [normally closed] specifications.



● CKH2-100CS standard/O/C

· Dimension in () for O [normally open] and C [normally closed] specifications.



RRC
GRC
RV3*
NHS
HR
LN
FH100
HAP
BSA2
BHA/BHG
LHA
LHAG
HKP
HLA/HLB
HLAG/HLBG
HEP
HCP
HMF
HMFB
HFP
HLC
HGP
FH500
HBL
HDL
HMD
HJL
BHE
CKG
CK
CKA
CKS
CKF
CKJ
CKL2
CKL2 *-HC
CKH2
CKLB2
NCK/SCK/FCK
FJ
FK
Ending

High gripping power powerful chuck
Chuck

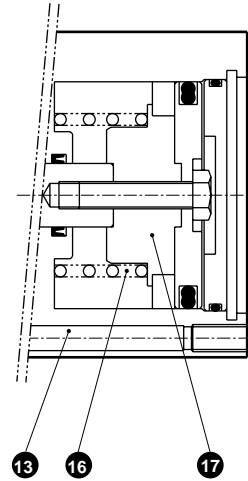
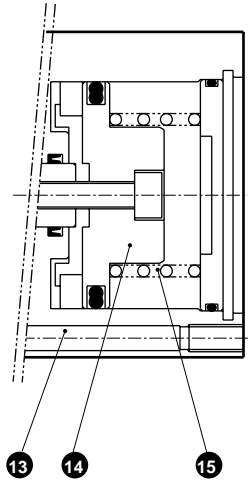
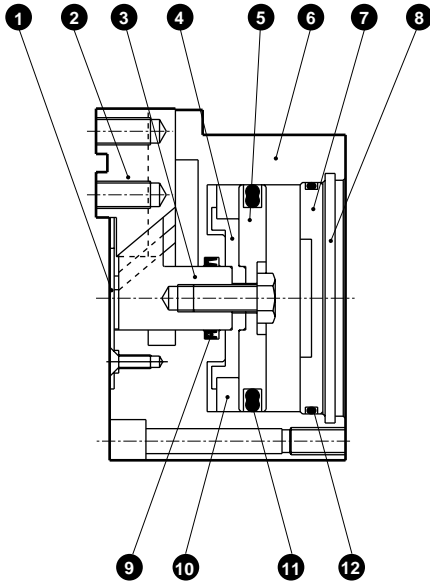
Internal structure and parts list

● CKH2-50CS to 100CS

Standard (double acting) type

O (normally open) type

C (normally closed) type



Parts list

No.	Parts name	Material	Remarks	No.	Parts name	Material	Remarks
1	Center cover	Stainless steel		10	Magnet		
2	Master key	Carbon steel		11	Piston seal	Nitrile rubber	
3	Piston A	Carbon steel		12	Cylinder sealant	Nitrile rubber	
4	Piston B	Aluminum alloy		13	C and O body	Aluminum alloy	
5	Piston C	Aluminum alloy		14	O piston C	Aluminum alloy	
6	Body	Aluminum alloy		15	O spring	Stainless steel	
7	Cylinder guard	Aluminum alloy		16	C spring	Stainless steel	
8	C type snap ring	50CS, 60CS stainless steel 80CS, 100CS steel		17	C piston B	Aluminum alloy	
9	Lot sealant	Nitrile rubber					